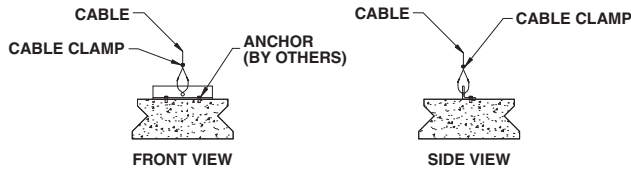
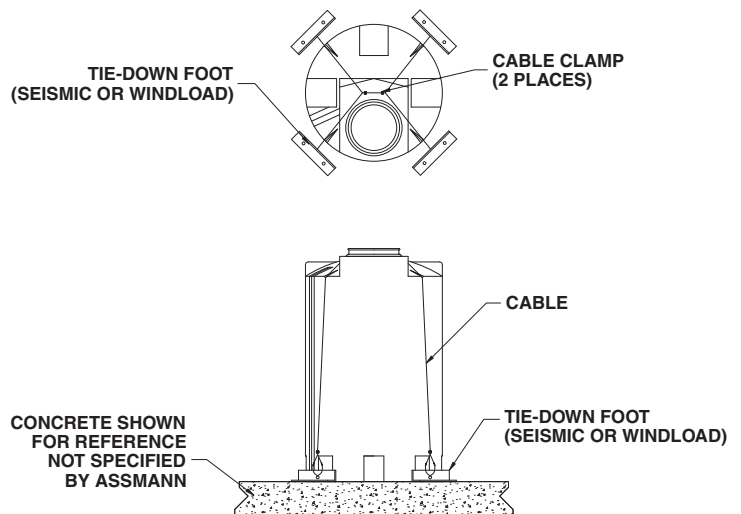


Tie-Down Assemblies

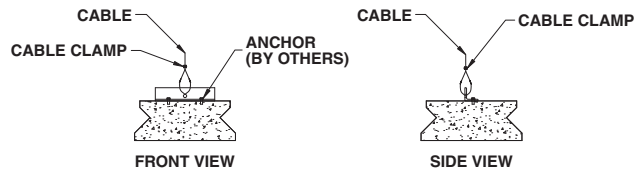
Seismic Zone 4

Seismic restraint assemblies are designed to handle seismic loads up to and including zone 4. Materials of construction consist of: 316 Stainless Steel or Mild Steel with epoxy coating and galvanized cables.

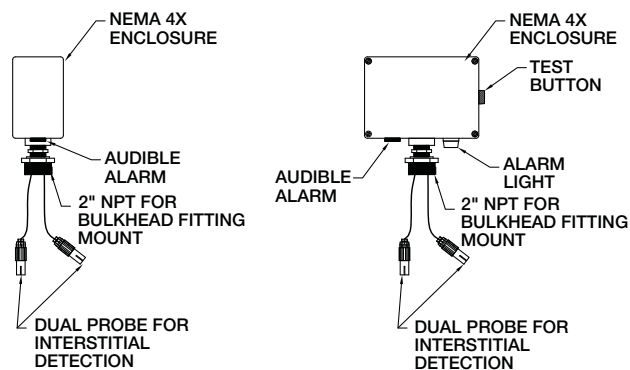
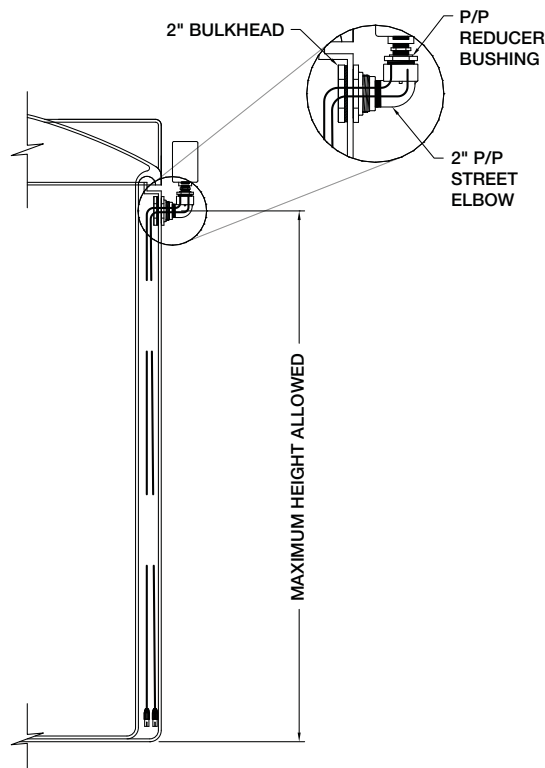


120 MPH Wind Load

Wind load tie down assemblies are capable of handling winds up to and including 120 MPH. Materials of construction consist of: 316 Stainless Steel or Mild Steel with epoxy coating and galvanized cables.



Leak Detection



INTERSTITIAL LEAK DETECTION SYSTEM FOR DOUBLE WALL STORAGE TANKS