

316 Stainless Steel Fittings

These fittings provide the through tank wall connection for applications with stringent sanitary requirements met by Type 316 Stainless Steel. All components except the gasket are made of 316 Stainless Steel.

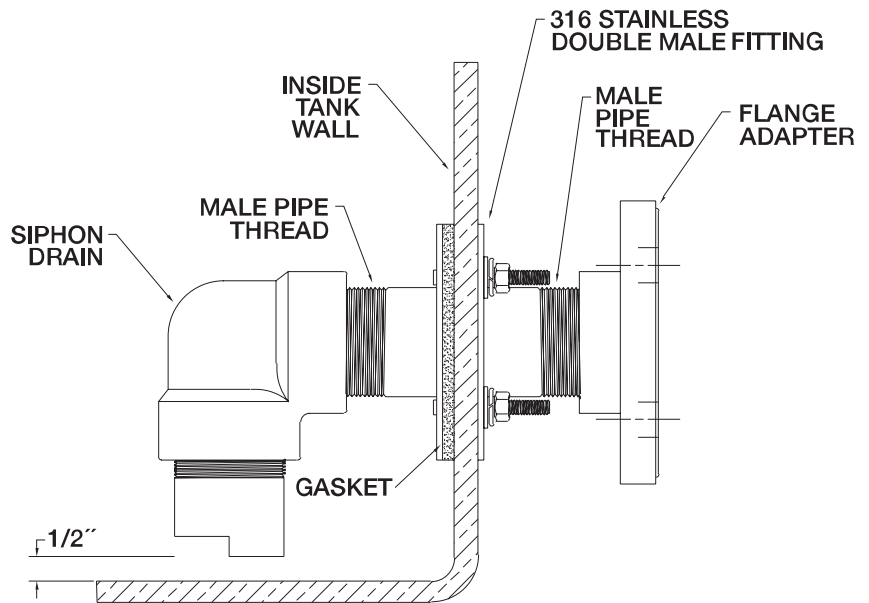
There are three types in nine sizes:

Male Fitting: Male pipe thread outside tank wall only.

Female Fitting: Female pipe thread inside and outside of tank wall.

Double Male Fitting: Male pipe thread inside and outside of tank wall.

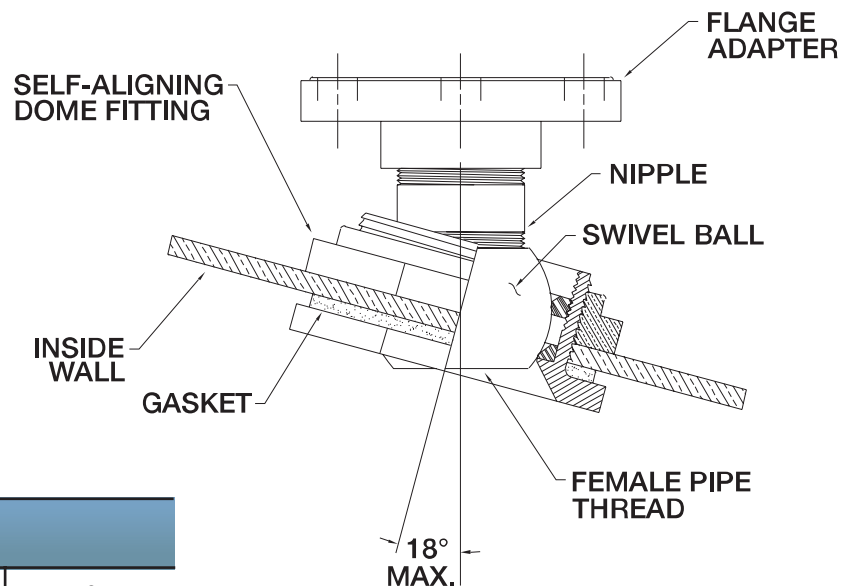
The flange adapter and siphon drain (if applicable) can be applied to all three stainless fitting types listed above.



316 Stainless Steel Fittings Available Sizes (inches)									
Size	1/2	3/4	1	1 1/4	1 1/2	2	2 1/2	3	4
Bolts	4	4	4	4	4	4	4	8	8

PVC Self-Aligning Dome Fittings

Three sizes of PVC fittings are available which provide a vertical plumbing connection at the top of tanks with a radius dome. The ball socket design corrects for the slope of the dome. The fittings have female pipe thread inside and outside of tank wall. Fitting and gasket must be ordered separately.



Self-Aligning Dome Fittings Available Sizes (inches)			
Size	1	2	3