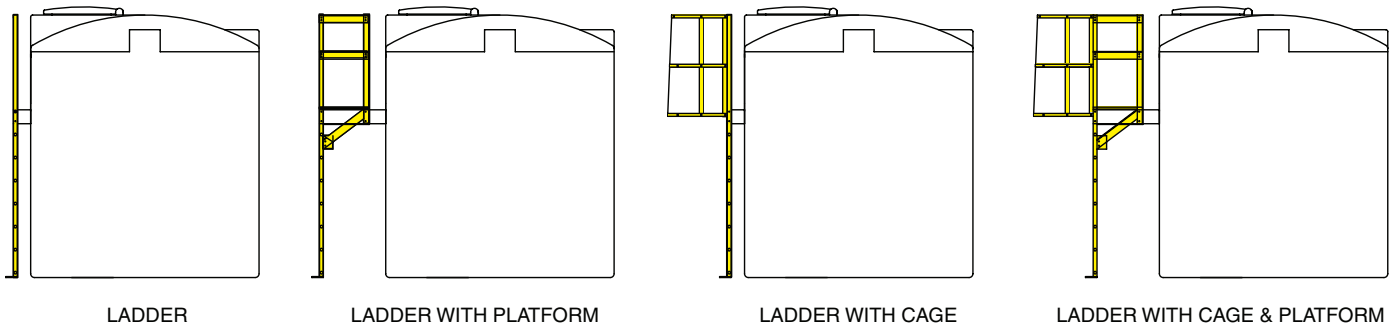


Fiber Reinforced Ladder Assemblies

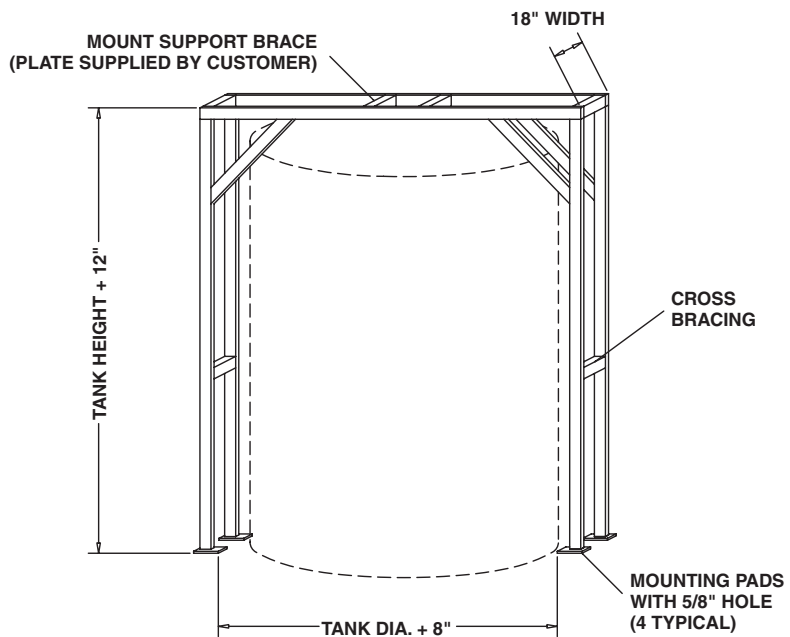
Fiber reinforced ladders conform to OSHA requirements. Ladder assemblies are available in three configurations. Ladder with platform, straight ladder with cage and ladder with cage and platform. These ladders are not designed to gain entry into interior of tanks or for access to dome.



FRP Ladder with Platform
FRP Ladder with Cage
FRP Ladder with Cage and Platform

Agitator Support Brackets for Vertical and Conical Tanks

Self supporting agitator support brackets are designed to handle mixers with horse power ratings of 3 or 5 HP. Agitator support stands are made from mild steel and are epoxy painted as a standard. 304 stainless steel is optional.



CUSTOMER TO PROVIDE MIXER MOUNTING HOLES/BOLTS OR PLATE ONSITE
3HP WITH 18" MOUNTING SUPPORT SPACING 2" x 2" x 3/16" TUBE 4" x 6" x 1/4" MOUNTING PADS
5HP WITH 24" MOUNTING SUPPORT SPACING 3" x 3" x 3/16" TUBE 4" x 8" x 1/4" MOUNTING PADS