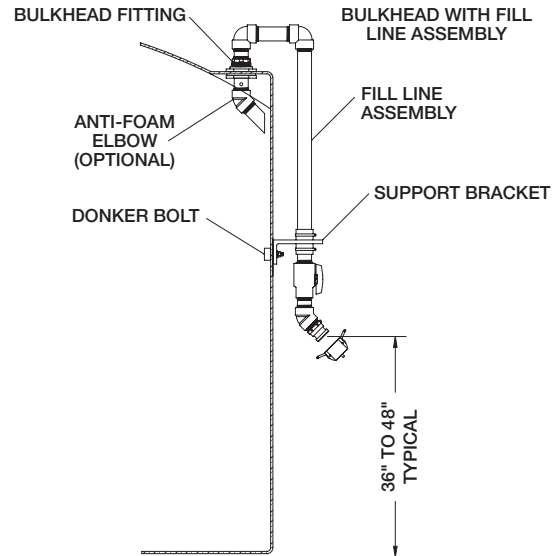


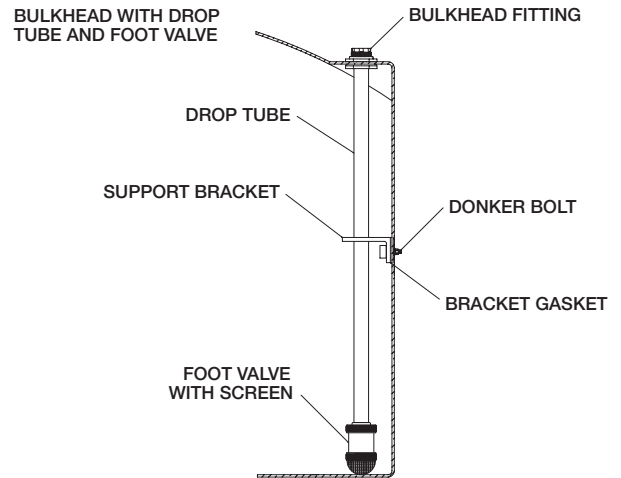
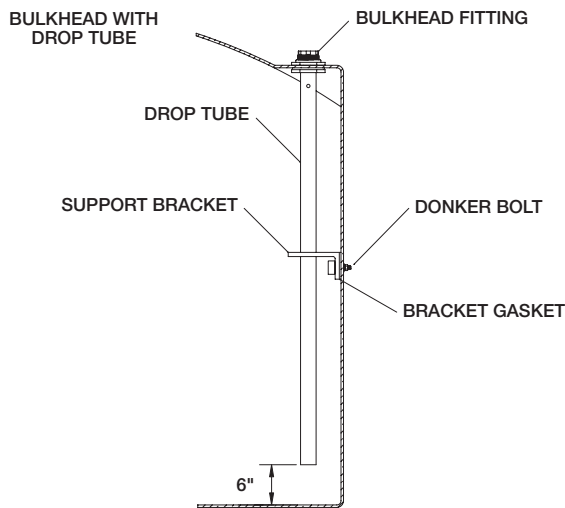
- **Fill Line Assemblies**
- **Drop Tube Assemblies**

These assemblies make it possible to fill the tank from a convenient position outside the tank. They do not include through-wall fittings. The fill line consists of an exterior drop tube, 90° elbow, ball valve, male quick disconnect coupling, dust cap and exterior pipe support bracket. The interior assembly consists of drop tube and pipe support bracket. Gasket and bolts must be ordered separately.

Optional union may be ordered with exterior fill line. When ordering exterior fill line and interior drop tube together, order one gasket and one set of two bolts.



Fill Line and Drop Tube Assemblies Available Sizes (inches)			
Size	1	2	3



## Anti-Foam Elbow

This assembly with 45° elbow and nipple extends to within 3" of the tank wall, directs liquid to run smoothly down the interior surface of the tank. This will reduce the generation of foam on the surface of the contents. Through-wall fitting is not included and must be ordered separately.

Anti-Foam Elbow Available Sizes (inches)				
Size	1	2	3	4

