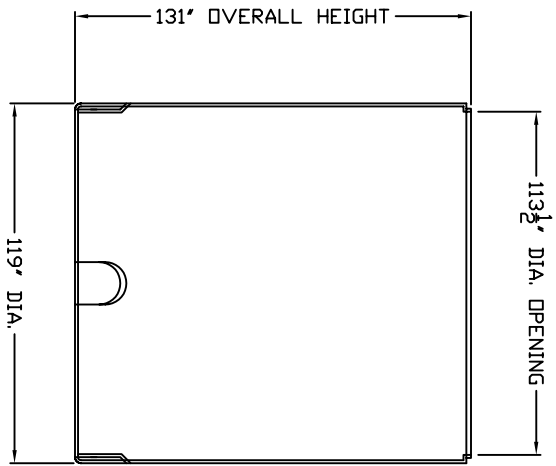
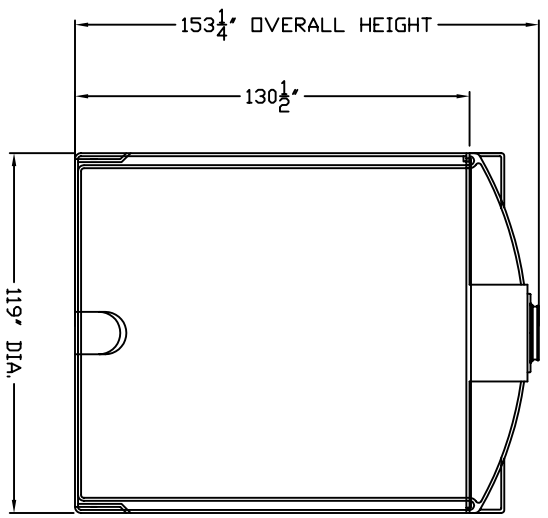
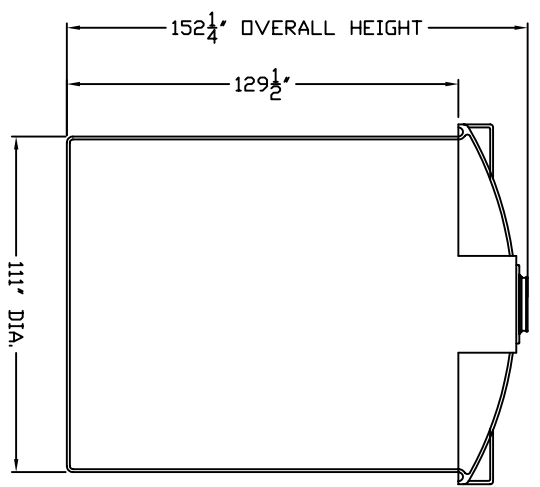
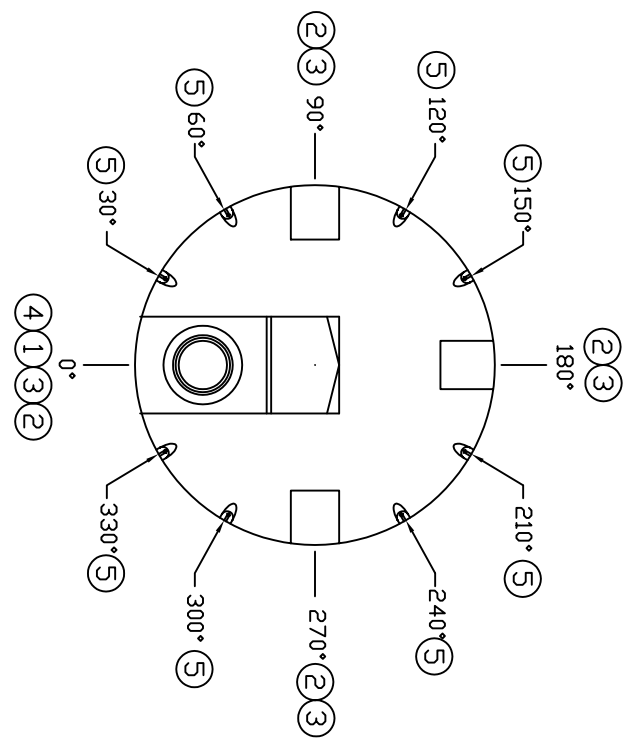
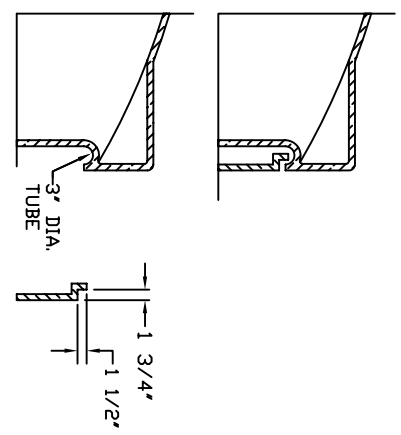


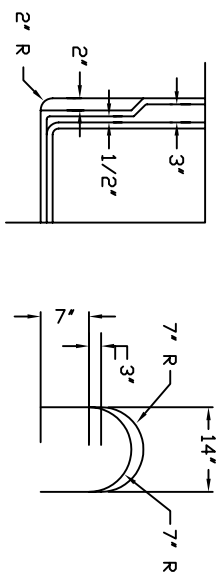
ACCESSORIES			
MK	SIZE	DESCRIPTION	DEG ELEV DOME



LIP DETAIL



LOWER FLAT SPOT DTL.



- NOTES:
- 16" LEVER LOCKING MANWAY
 - LOWER FLAT SPOT (4 PLACES)
 - 18" X 18" DOME FLAT SPOTS (3 PLACES)
 - 32" X 52" MANWAY FLAT
 - LIFTING LUG ASSEMBLY (8 PLACES)

REV A	INSERTED A NEW TITLE BLOCK	06/12/08 MG
REV	REVISION DESCRIPTION	REV DATE

Ice Armor
CORPORATION OF AMERICA
300 N TAYLOR ROAD
GARRETT, IN 46738
PHONE: (860) 357-3181
FAX: (860) 357-3738

PRIMARY VESSEL	SPECIFIC GRAVITY	SP.G. MAX	SECONDARY VESSEL	SPECIFIC GRAVITY	SP.G. MAX
RESIN USED	TANK WEIGHT	- LBS.	RESIN USED	TANK WEIGHT	- LBS.
POLYETHYLENE	TANK COLOR	-	POLYETHYLENE	TANK COLOR	-

TITLE: IMT 5250
DOUBLE WALL STORAGE TANK
DRAWN BY: D. CRAGER
DATE: 12/29/97
DWG NUMBER: IMT 5250
REV: A

ALL DIMENSIONS ARE IN INCHES AND ARE ±.3%