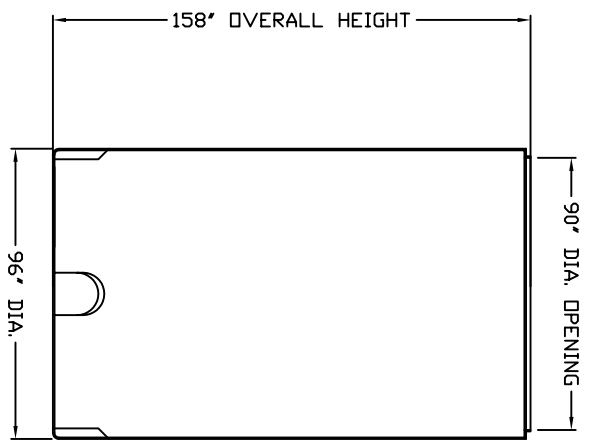
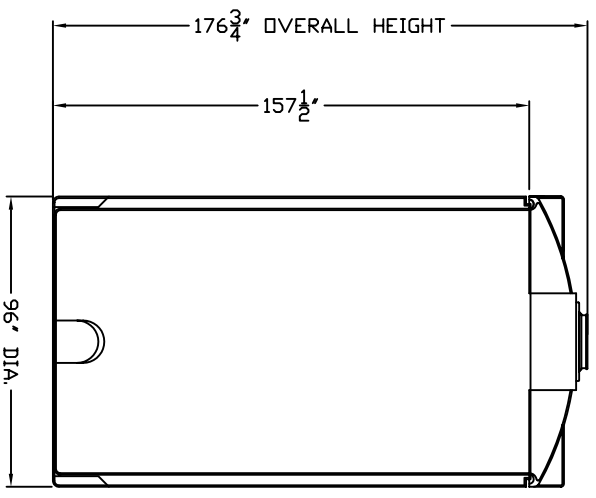
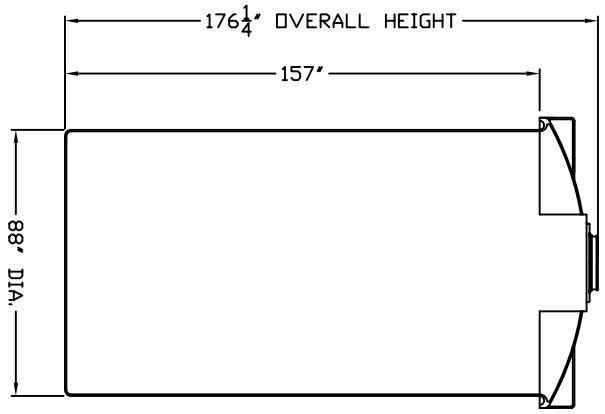
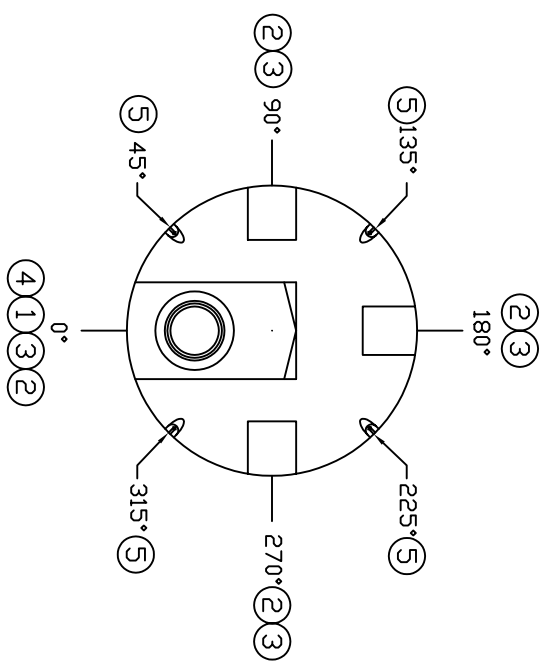
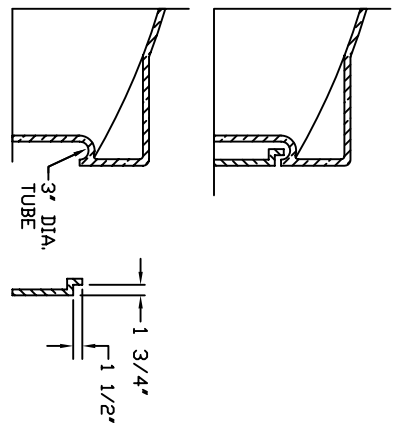


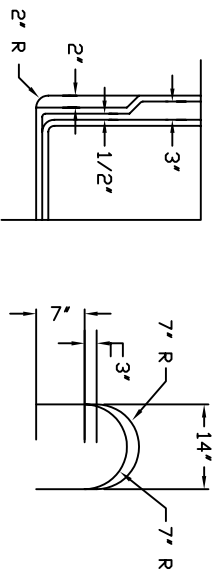
ACCESSORIES		DEG	ELEV	DOME
MK	SIZE	DESCRIPTION		



LIP DETAIL



LOWER FLAT SPOT DTL.



- NOTES:
- 1 16" LEVER LOCKING MANWAY
 - 2 LOWER FLAT SPOT (4 PLACES)
 - 3 18" X 18" DOME FLAT SPOTS (3 PLACES)
 - 4 32" X 52" MANWAY FLAT
 - 5 LIFTING LUG ASSEMBLY (4 PLACES)

REV	DESCRIPTION	REV DATE
A	INSERTED A NEW TITLE BLOCK	06/12/08 MG

		300 N TAYLOR ROAD GARRETT, IN 46738 PHONE: (260) 357-3181 FAX: (260) 357-3738	
PRIMARY VESSEL SPECIFIC GRAVITY - TANK WEIGHT - LBS. RESIN USED - POLYETHYLENE TANK COLOR -	SECONDARY VESSEL SPECIFIC GRAVITY - TANK WEIGHT - LBS. RESIN USED - POLYETHYLENE TANK COLOR -	OVERALL TANK WEIGHT - LBS.	DESIGNER D. CRAGER DWG NUMBER IMT 4050
TITLE IMT 4050 DOUBLE WALL STORAGE TANK		SALES ORDER	TRAVEL DATE 10/28/99
ALL DIMENSIONS ARE IN INCHES AND ARE ±3%		REV	REV

IMT 4050 A