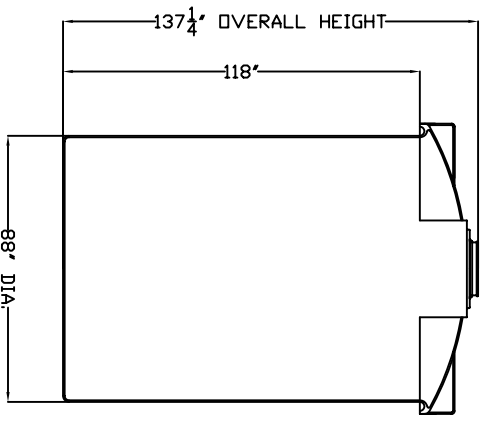
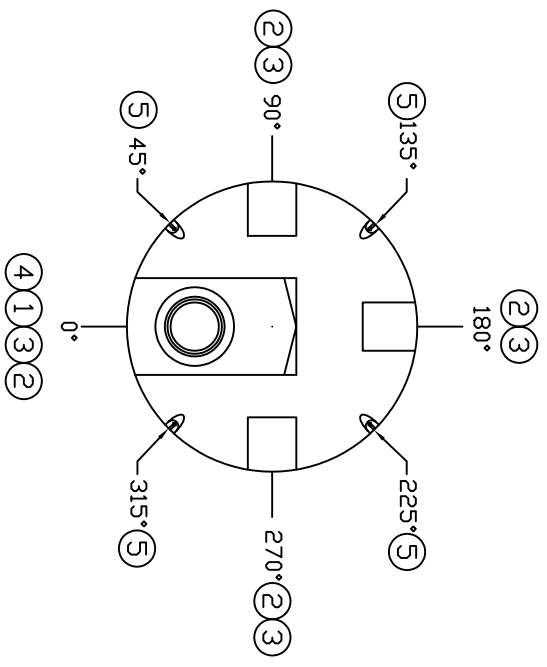
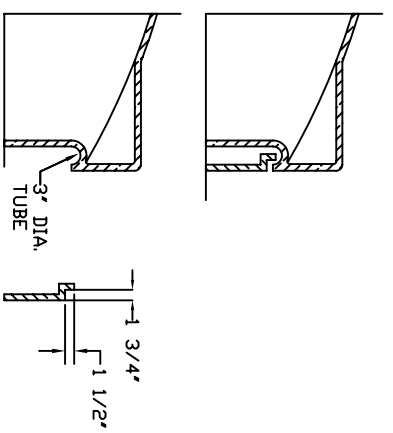


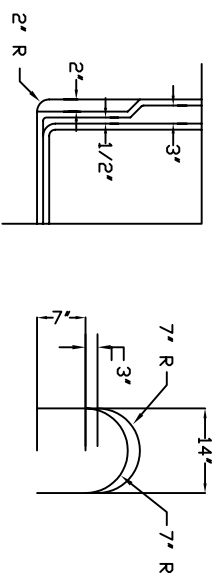
ACCESSORIES	
MK	SIZE
DESCRIPTION	DEG ELEV DOME



LIP DETAIL



LOWER FLAT SPOT DTL.



- NOTES:
- 16" LEVER LOCKING MANWAY
 - LOWER FLAT SPOT (4 PLACES)
 - 18" X 18" DOME FLAT SPOTS (3 PLACES)
 - 32" X 52" MANWAY FLAT
 - LIFTING LUG ASSEMBLY (4 PLACES)

REV	A	INSERTED A NEW TITLE BLOCK	06/12/08 MG
REV		REVISION DESCRIPTION	REV DATE



300 N TAYLOR ROAD
GARRETT, IN 46738
PHONE: (260) 357-3181
FAX: (260) 357-3738

PRIMARY VESSEL	SPECIFIC GRAVITY	SP.G. MAX	SECONDARY VESSEL	SPECIFIC GRAVITY	SP.G. MAX
RESIN USED	TANK WEIGHT	- LBS.	RESIN USED	TANK WEIGHT	- LBS.
POLYETHYLENE	TANK COLOR	-	POLYETHYLENE	TANK COLOR	-

TITLE: IMT 3050
DOUBLE WALL STORAGE TANK

ALL DIMENSIONS ARE IN INCHES AND ARE ±3%	DESIGNER: D. CRAGER	DATE: 12/29/97
	DWG NUMBER: IMT 3050	REV: A

