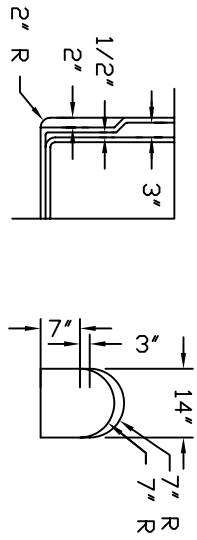
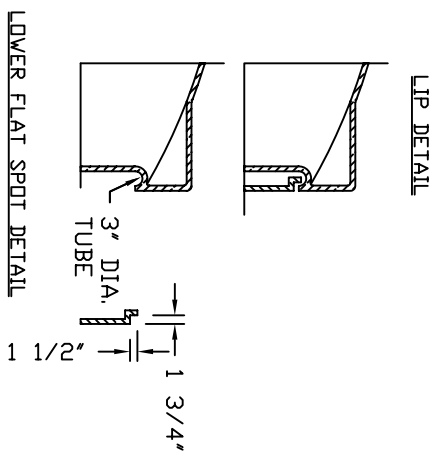
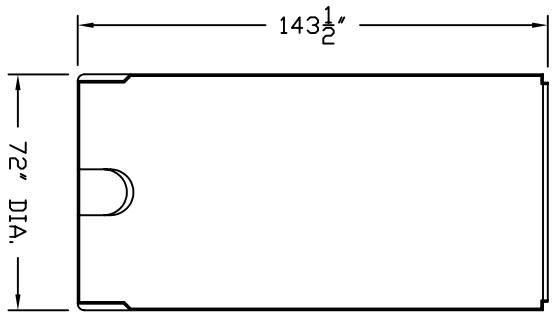
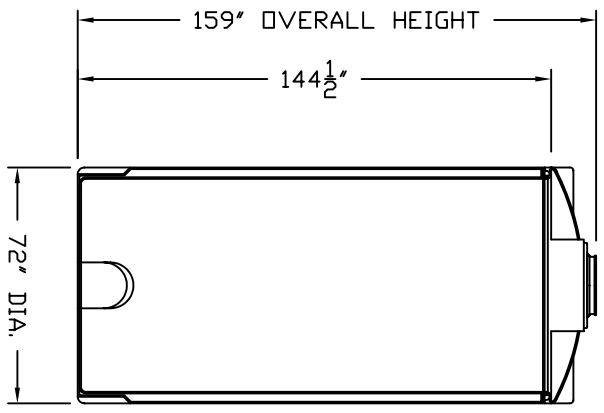
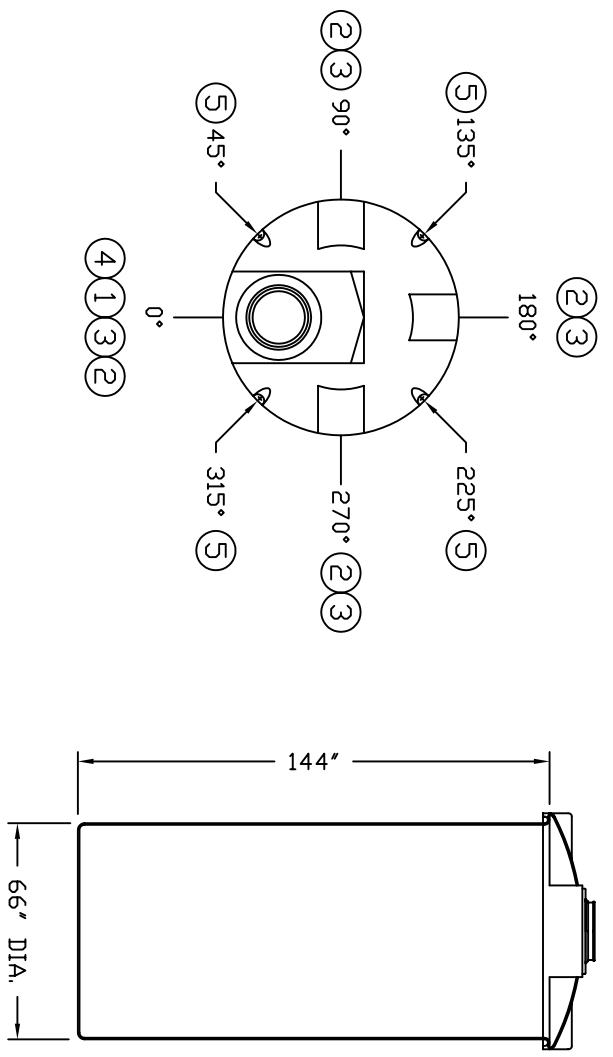


ACCESSORIES

MK	SIZE	DESCRIPTION	DEG	ELEV	DOME



- NOTES:
- 16' MANWAY W/ LEVER LOCK COVER
 - LOWER FITTING FLAT SPOT (TYP. 4 PLACES)
 - 18' x 18' DOME FLAT SPOT (TYP. 3 PLACES)
 - 32' x 56' MANWAY FLAT
 - LIFTING LUG ASSEMBLY (TYP. 4 PLACES)
 - CALCULATED PRIMARY GALLONS PER INCH: 14.33
 - CALCULATED PRIMARY CAPACITY: 2,056 GAL.
 - CALCULATED SECONDARY GALLONS PER INCH: 17.06
 - CALCULATED SECONDARY CAPACITY: 2,423 GAL.

REV	REVISION DESCRIPTION	REV DATE

		300 N TAYLOR ROAD GARRETT, IN 46738 PHONE: (260) 357-3181 FAX: (260) 357-3738	
PRIMARY VESSEL SPECIFIC GRAVITY TANK WEIGHT RESIN USED	- - - POLYETHYLENE	SP.G. MAX LBS. TANK WEIGHT TANK COLOR	SECONDARY VESSEL SPECIFIC GRAVITY TANK WEIGHT RESIN USED
TITLE DOUBLE WALL STORAGE TANK ASSMANN CORPORATION OF AMERICA	IMT 2050 GALLON POLYETHYLENE	LBS. - LBS. -	OVERALL TANK WEIGHT LBS. DRAWING BY: D. MYERS DATE: 12/6/09 DWG NUMBER: IMT2050 REV: -

ALL DIMENSIONS ARE IN INCHES AND ARE ±3%