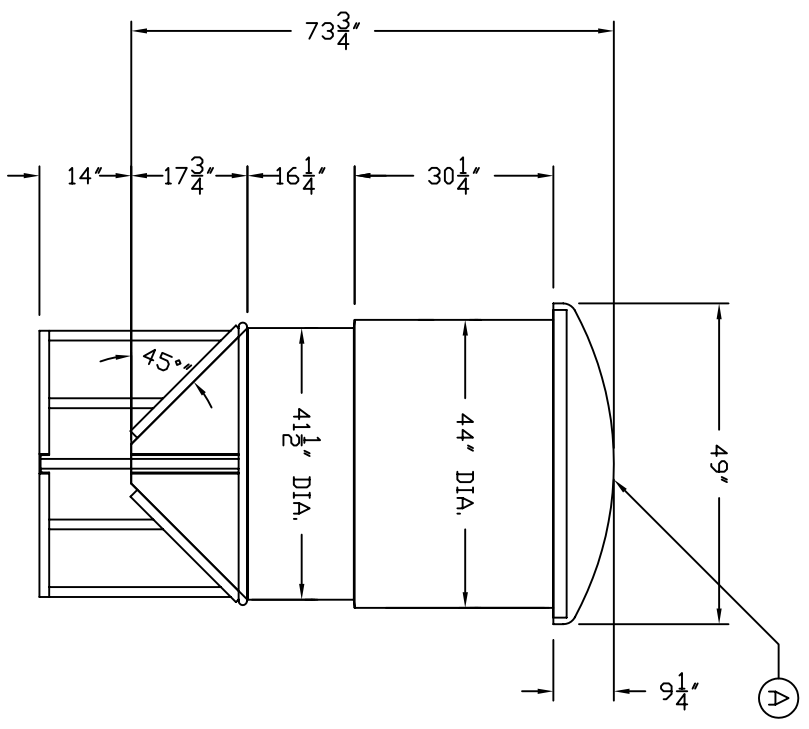
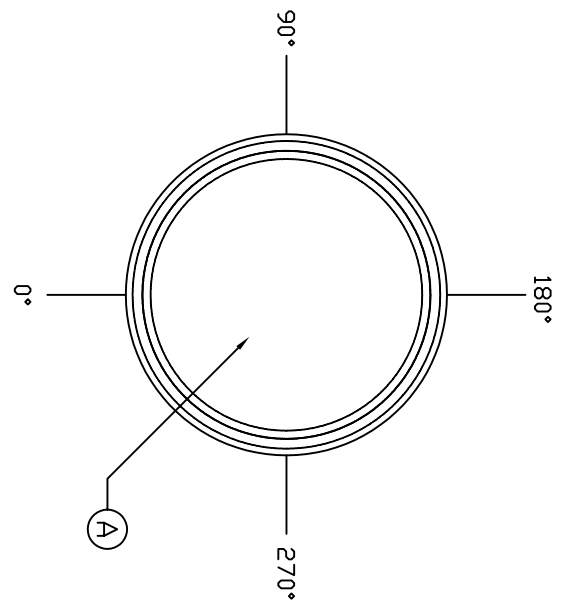


ACCESSORIES					
MK	SIZE	DESCRIPTION	DEG	ELEV	DOME
A	-	OPEN TOP COVER	-	-	X



- NOTES:
- 1 LOCATE FITTINGS FROM PLAN VIEW.
  - 2 TANK(S) MUST BE INSTALLED PER ASSMANN CORPORATION USAGE & GUIDELINES.
  - 3 FLEXIBLE EXPANSION JOINTS MUST BE USED ON ALL SIDEWALL CONNECTIONS.
  - 4 TANKS ARE BUILT PER ASTM D 1998.

REV	DESCRIPTION	REV DATE
A	UPDATED THE TITLE BLOCK	11/24/08 MG

**Assmann**  
CORPORATION OF AMERICA

300 N TAYLOR ROAD  
GARRETT, IN 46728  
PHONE: (260) 337-3181  
FAX: (260) 337-3728

TANK RESIN: POLYETHYLENE  
SPECIFIC GRAVITY: -  
S.P.G. MAX: -

TITLE	ICB 300 GAL. CONICAL BOTTOM STORAGE TANK	TANK WEIGHT	LBS.
DRAWN BY	D. CRAIGER	TANK ORDER	-
DESIGN DATE	08/13/98	DWG NUMBER	ICB 300
SALES ORDER	ASSMANN CORPORATION OF AMERICA	REV	A

ALL DIMENSIONS ARE IN INCHES AND ARE ±3%